

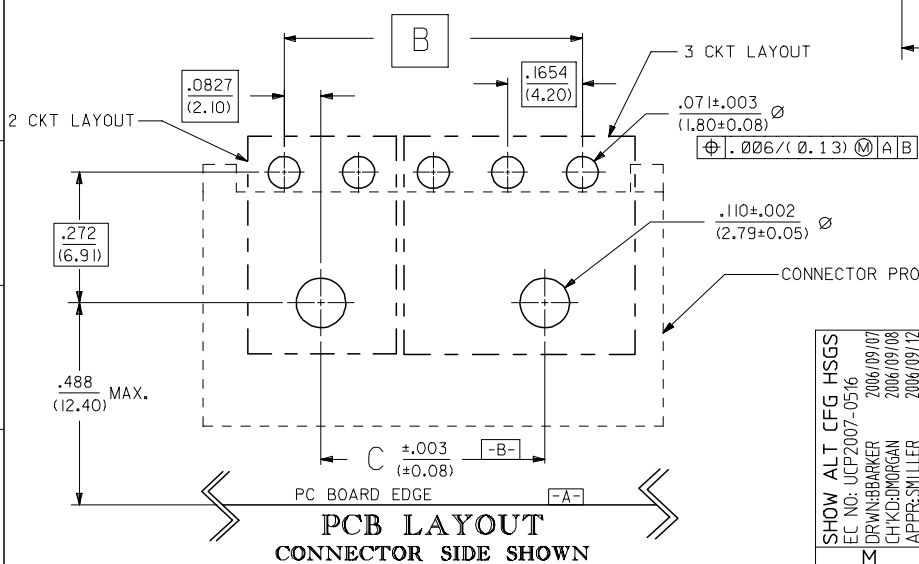
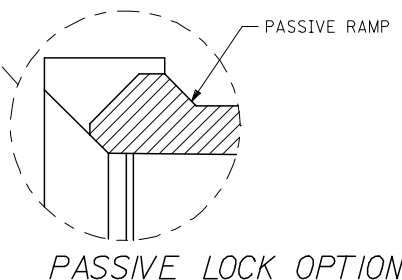
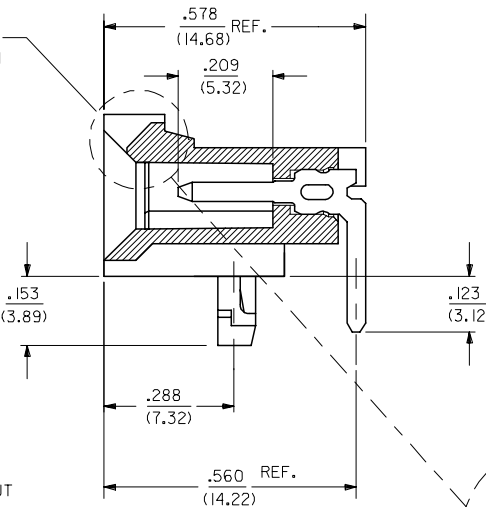
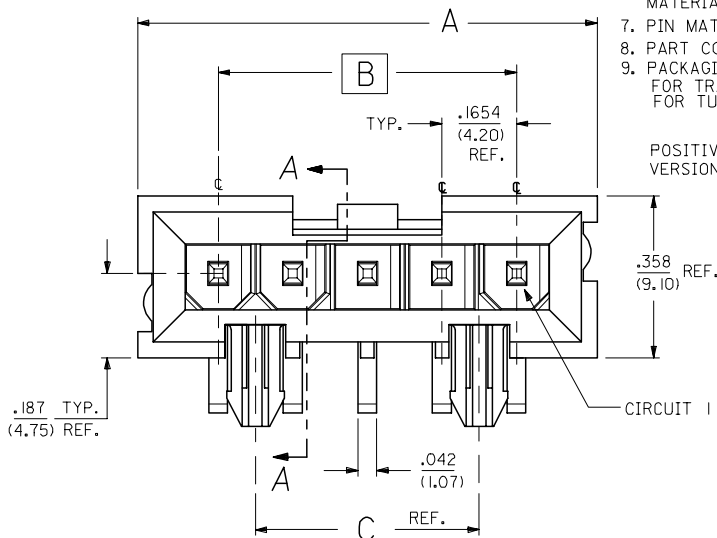
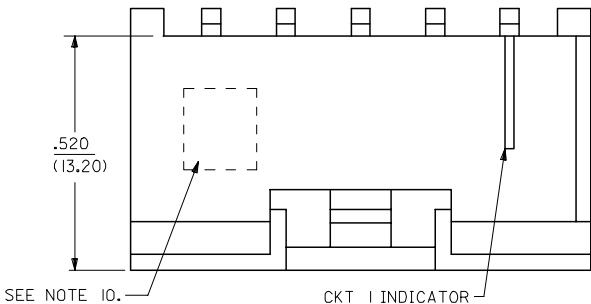
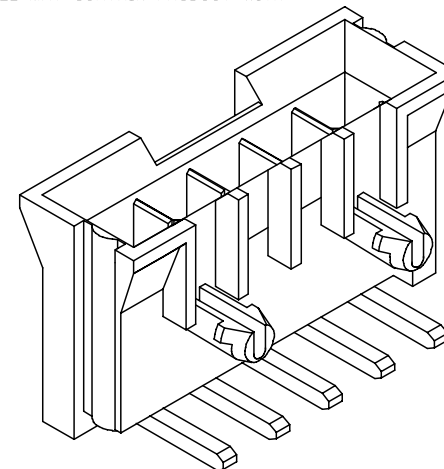
NOTES:

1. ASSEMBLY NO. 71233-0007 SHOWN FOR ILLUSTRATION.
2. MATES WITH PART NO. 71694-****, AND 5557-**.
3. SEE FOLLOWING PAGES FOR PART NOS. & CONFIGURATIONS.
4. FINISHES (SEE CHARTS):
 TIN OVERALL - .000150/(0.0038) MINIMUM TIN OVERALL, OVER NICKEL UNDERPLATING OVERALL.
 30 GOLD - .000030/(0.00076) MINIMUM SELECT GOLD AND .000100/(0.00254) MINIMUM SELECT TIN OVER NICKEL UNDERPLATING OVERALL.
 15 GOLD - .000015/(0.00038) MINIMUM SELECT GOLD AND .000150/(0.0038) MINIMUM SELECT TIN OVER NICKEL UNDERPLATING OVERALL.
5. ITEM NO'S PRECEDED BY AN "X" IN THE CHARTS ARE NOT AVAILABLE.
6. HOUSING MATERIAL: HIGH TEMP. 94V-0 GLASS FILLED POLYESTER MATERIAL COLOR: WHITE.
7. PIN MATERIAL: BRASS.
8. PART CONFORMS TO SPECIFICATION NO. PS-71690-001.
9. PACKAGING SPECIFICATIONS:
 FOR TRAY, SEE PK-71232-0000
 FOR TUBE, SEE PK-71233-0000

10. LOCATION FOR .25/(6.4) TALL "T" FOR 71233-5005.

NOTE FOR LEAD FREE CONVERSION:

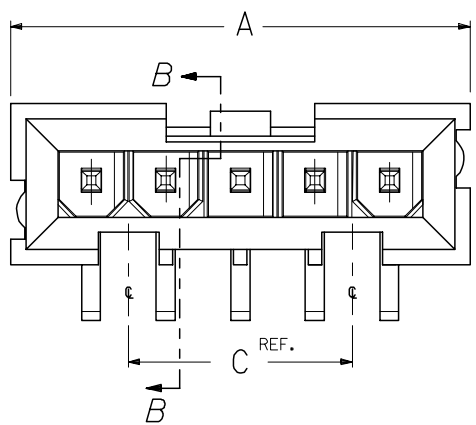
THE PRIMARY SHIPPING CARTON WILL BE LABELED "COMPLIANT TO RoHS DIRECTIVE 2002/95/EC AND ELV ANNEX II OF DIRECTIVE 2000/53/EC". CARTONS WITHOUT THIS LABEL MAY CONTAIN PRODUCT WITH LEAD.



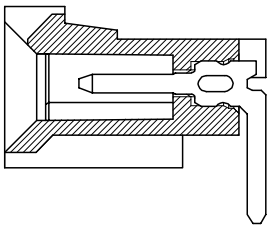
| | |
|-----|-----|
| 4 | L |
| 3 | L |
| 2 | M |
| 1 | M |
| SHT | REV |

| | | | | | | | | |
|--|-------------------------------|---|--------------------|---|---------------------------------------|----------------------|------------------------|--|
| SHOW ALT CFG HSGS EC NO: UCP2007-0516 DRAWN: BARKER 2006/09/07 CHKD: DORGAN 2006/09/08 APPR: SMILLER 2006/09/12 M | QUALITY SYMBOLS ▽=0 ▽=0 | GENERAL TOLERANCES (UNLESS SPECIFIED) mm INCH | | DIMENSION STYLE IN/MM | SCALE 5:1 | DESIGN UNITS INCH | THIRD ANGLE PROJECTION | |
| | | 4 PLACES ± --- ± --- | DRAWN BY RWB | DATE 8/2/93 | RIGHT ANGLE THRU HOLE MINI-FIT HEADER | | | |
| | | 3 PLACES ± --- ± .010 | CHECKED BY PAR | DATE 8/2/93 | MOLEX INCORPORATED | | | |
| | | 2 PLACES ± 0.25 ± .015 1 PLACE ± 0.38 ± --- ANGULAR ±1/2° | APPROVED BY FAH | DATE 8/2/93 | MATERIAL NO. SDA-71233-**** | DOCUMENT NO. | SHEET NO. 1 OF 4 | |
| DRAFT WHERE APPLICABLE MUST REMAIN WITHIN DIMENSIONS | | SEE TABLES | | THIS DRAWING CONTAINS INFORMATION THAT IS PROPRIETARY TO MOLEX INCORPORATED AND SHOULD NOT BE USED WITHOUT WRITTEN PERMISSION | | | | |

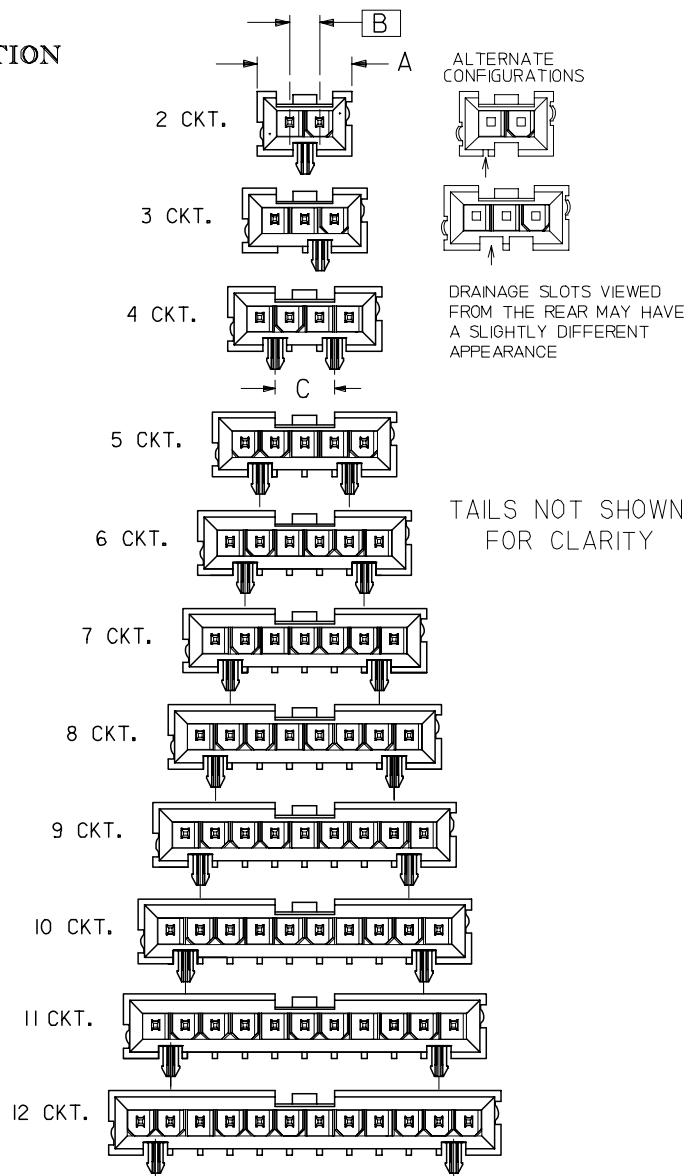
SEE SHEET 1 FOR ALL OTHER INFORMATION



NO PEG OPTION



SECTION B-B



OVERALL DIMENSIONS

ASSEMBLIES WITH & WITHOUT PEGS

| SIZE | DIM. "A" | | DIM. "B" BASIC | | DIM. "C" REF. | |
|------|----------|---------|----------------|----------|---------------|---------|
| | INCH | (MM) | INCH | (MM) | INCH | (MM) |
| 2 | 0.524 | (13.31) | 0.1654 | (4.200) | N/A | N/A |
| 3 | 0.689 | (17.50) | 0.3307 | (8.400) | N/A | N/A |
| 4 | 0.855 | (21.71) | 0.4961 | (12.600) | 0.330 | (8.40) |
| 5 | 1.020 | (25.91) | 0.6614 | (16.800) | 0.496 | (12.60) |
| 6 | 1.185 | (30.10) | 0.8268 | (21.000) | 0.661 | (16.80) |
| 7 | 1.351 | (34.31) | 0.9921 | (25.200) | 0.826 | (21.00) |
| 8 | 1.516 | (38.50) | 1.1575 | (29.400) | 0.992 | (25.20) |
| 9 | 1.682 | (42.72) | 1.3228 | (33.600) | 1.157 | (29.40) |
| 10 | 1.847 | (46.91) | 1.4882 | (37.800) | 1.322 | (33.60) |
| 11 | 2.012 | (51.10) | 1.6535 | (42.000) | 1.488 | (37.80) |
| 12 | 2.177 | (55.30) | 1.8189 | (46.200) | 1.653 | (42.00) |

| | | | | | | | | | |
|--|-------------------------------|---|-----------------------|-----------------------|-------------|--|-------------------|-----------------------------|------------------|
| SHOW ALT CFG HSG EC NO: UCP2007-0516 DRAWN BY: BARKER 2006/09/07 CHKD: MORGAN 2006/09/08 APPR: MILLER 2006/09/12 | QUALITY SYMBOLS ▽=0 ▽=0 | GENERAL TOLERANCES (UNLESS SPECIFIED) | | DIMENSION STYLE IN/MM | | SCALE --- | DESIGN UNITS INCH | THIRD ANGLE PROJECTION | |
| | | 4 PLACES ± --- ± --- | 3 PLACES ± --- ± .010 | DRAWN BY RWB | DATE 8/2/93 | TITLE SINGLE ROW RIGHT ANGLE THRU HOLE MINIFIT HEADER ASSEMBLY | | | |
| | | 2 PLACES ± 0.25 ± .015 | 1 PLACE ± 0.38 ± --- | CHECKED BY PAR | DATE 8/2/93 | MOLEX INCORPORATED | | | |
| | | ANGULAR ±1/2° | | APPROVED BY FAH | DATE 8/2/93 | MATERIAL NO. SEE TABLES | | DOCUMENT NO. SDA-71233-**** | SHEET NO. 2 OF 4 |
| DRAFT WHERE APPLICABLE MUST REMAIN WITHIN DIMENSIONS | | THIS DRAWING CONTAINS INFORMATION THAT IS PROPRIETARY TO MOLEX INCORPORATED AND SHOULD NOT BE USED WITHOUT WRITTEN PERMISSION | | | | | | | |

HOUSINGS WITH PEGS

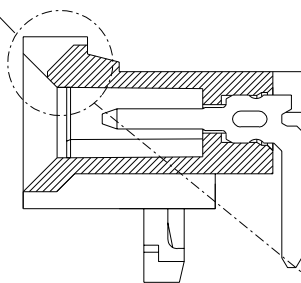
| SIZE | STAT | ASSEMBLY ITEM NUMBER | PLATING SEE NOTE 4 | |
|------|------|----------------------|--------------------|---------|
| 2 | | 71233-0001 | TIN OVERALL | |
| 3 | | 71233-0003 | | |
| 4 | | 71233-0005 | | |
| 5 | | 71233-0007 | | |
| 6 | | 71233-0009 | | |
| 7 | | 71233-0011 | | |
| 8 | | 71233-0013 | | |
| 9 | | 71233-0015 | | |
| 10 | | 71233-0017 | 30 GOLD | |
| 11 | | 71233-0019 | | |
| 12 | | 71233-0021 | | |
| 2 | | 71233-0101 | | 30 GOLD |
| 3 | | 71233-0103 | | |
| 4 | | 71233-0105 | | |
| 5 | | 71233-0107 | | |
| 6 | | 71233-0109 | | |
| 7 | | 71233-0111 | | |
| 8 | | 71233-0113 | | |
| 9 | | 71233-0115 | | |
| 10 | | 71233-0117 | | |
| 11 | | 71233-0119 | | |
| 12 | | 71233-0121 | | |

(POSITIVE LOCK, TRAY PACK)

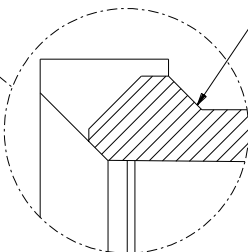
| SIZE | STAT | ASSEMBLY ITEM NUMBER | PLATING SEE NOTE 4 | |
|------|------|----------------------|--------------------|---------|
| 2 | | 71233-0002 | TIN OVERALL | |
| 3 | | 71233-0004 | | |
| 4 | | 71233-0006 | | |
| 5 | | 71233-0008 | | |
| 6 | | 71233-0010 | | |
| 7 | | 71233-0012 | | |
| 8 | | 71233-0014 | | |
| 9 | | 71233-0016 | | |
| 10 | | 71233-0018 | 30 GOLD | |
| 11 | | 71233-0020 | | |
| 12 | | 71233-0022 | | |
| 2 | | 71233-0102 | | 30 GOLD |
| 3 | | 71233-0104 | | |
| 4 | | 71233-0106 | | |
| 5 | | 71233-0108 | | |
| 6 | | 71233-0110 | | |
| 7 | | 71233-0112 | | |
| 8 | | 71233-0114 | | |
| 9 | | 71233-0116 | | |
| 10 | | 71233-0118 | | |
| 11 | | 71233-0120 | | |
| 12 | | 71233-0122 | | |

(PASSIVE LOCK, TRAY PACK)

POSITIVE LOCK VERSION SHOWN



PASSIVE RAMP



HOUSINGS WITHOUT PEGS

| SIZE | STAT | ASSEMBLY ITEM NUMBER | PLATING SEE NOTE 4 |
|------|------|----------------------|--------------------|
| 2 | | 71233-0201 | TIN OVERALL |
| 3 | | 71233-0203 | |
| 4 | | 71233-0205 | |
| 5 | | 71233-0207 | |
| 6 | | 71233-0209 | |
| 7 | | 71233-0211 | |
| 8 | | 71233-0213 | |
| 9 | | 71233-0215 | 30 GOLD |
| 10 | | 71233-0217 | |
| 11 | | 71233-0219 | |
| 12 | | 71233-0221 | |
| 2 | | 71233-0301 | |
| 3 | | 71233-0303 | |
| 4 | | 71233-0305 | |
| 5 | | 71233-0307 | |
| 6 | | 71233-0309 | |
| 7 | | 71233-0311 | |
| 8 | | 71233-0313 | |
| 9 | | 71233-0315 | |
| 10 | | 71233-0317 | |
| 11 | | 71233-0319 | |
| 12 | | 71233-0321 | |

(POSITIVE LOCK, TRAY PACK)

| SIZE | STAT | ASSEMBLY ITEM NUMBER | PLATING SEE NOTE 4 |
|------|------|----------------------|--------------------|
| 2 | | 71233-0202 | TIN OVERALL |
| 3 | | 71233-0204 | |
| 4 | | 71233-0206 | |
| 5 | | 71233-0208 | |
| 6 | | 71233-0210 | |
| 7 | | 71233-0212 | |
| 8 | | 71233-0214 | |
| 9 | | 71233-0216 | |
| 10 | | 71233-0218 | |
| 11 | | 71233-0220 | |
| 12 | | 71233-0222 | |
| 2 | | 71233-0302 | |
| 3 | | 71233-0304 | |
| 4 | | 71233-0306 | |
| 5 | | 71233-0308 | |
| 6 | | 71233-0310 | |
| 7 | | 71233-0312 | |
| 8 | | 71233-0314 | |
| 9 | | 71233-0316 | |
| 10 | | 71233-0318 | |
| 11 | | 71233-0320 | |
| 12 | | 71233-0322 | |

(PASSIVE LOCK, TRAY PACK)

| | | | | | |
|------|-----------|------|-----------|---|--|
| LTR. | REVISIONS | LTR. | REVISIONS | DIMENSIONS SHOWN (METRIC) INCH UNLESS OTHERWISE SPECIFIED TOLERANCES: ANGULAR ± 1/2° 3 PLACE ± .005 2 PLACE ± .01 ± 0.13 1 PLACE --- ± 0.25 DRAFT WHERE APPLICABLE MUST REMAIN WITHIN DIMENSIONS DRWG. BY: RWB APP'D. BY: FAH CHK'D. BY: PAR SCALE: | REVISE ONLY ON CAD SYSTEM TITLE: SINGLE ROW MINI-FIT HEADER RIGHT ANGLE, BLIND MATE, THRU-HOLE SALES ASSEMBLY FROM: MOLEX INCORPORATED L1SLE,ILL. 60532 SHEET NO. 3 DATE: 08/02/93 PART NO. SEE CHART DRWG. NO. SDA-71233-**** FILE NAME: 571233P3.DEN THIS DRAWING CONTAINS INFORMATION THAT IS PROPRIETARY TO MOLEX INC. AND SHOULD NOT BE USED WITHOUT WRITTEN PERMISSION. |
|------|-----------|------|-----------|---|--|